

Optical Print Mark scanner STM-PC

Threaded Holes for Mounting on both sides

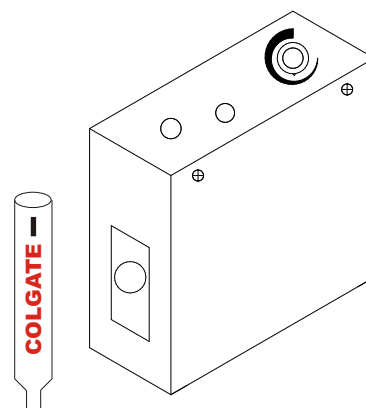


Print mark scanner scans registration marks on printed films or tubes used for filling pastes like toothpastes and ointments. It can scan the mark from distance of around 10 to 15 mm depending on the contrast. It detects the mark by sensing the reflected light from the printed surface as it uses green light it can detect marks of different colors as long as there is sufficient contrast between background color and the registration mark. It can sense both light mark on dark background or a dark mark on a light background. An LED indication is provided at the back of the panel. when the mark is sensed

Dimensions: 75 mm length 70 mm height and 32 mm width

Specifications of standard scanner:

1. Operates from 24 V Dc @ 100 mA
2. Sensing distance 10 to 15 mm
3. Output 24 V supply no mark 0 and mark 22V
4. Supply voltage +/- 15% low ripple.
5. Sensor speed response for tubes upto 60 tubes per minute
6. Sensor speed response for foils upto 15 cms/sec
7. Cable length 3 metre



For Details Contact
New Age Electronics
110 New Modella Indl Estate
Padwalnagar. Wagle Estate
Thane (W) 400 604
Phone Fax: 91 22 582 1011

Our Website:
WWW.borker.com

IOLINE Data Systems
Unit No 26, Electronic
Sadan 2
Near Philips factory
MIDC Bhosari Pune 411
026.

Ph Fax: 91 20 712 3136,
Fax 91 20 628886

Email: uborker@gmail.com